

REVIEWED & APPROVED

NAME

DATE

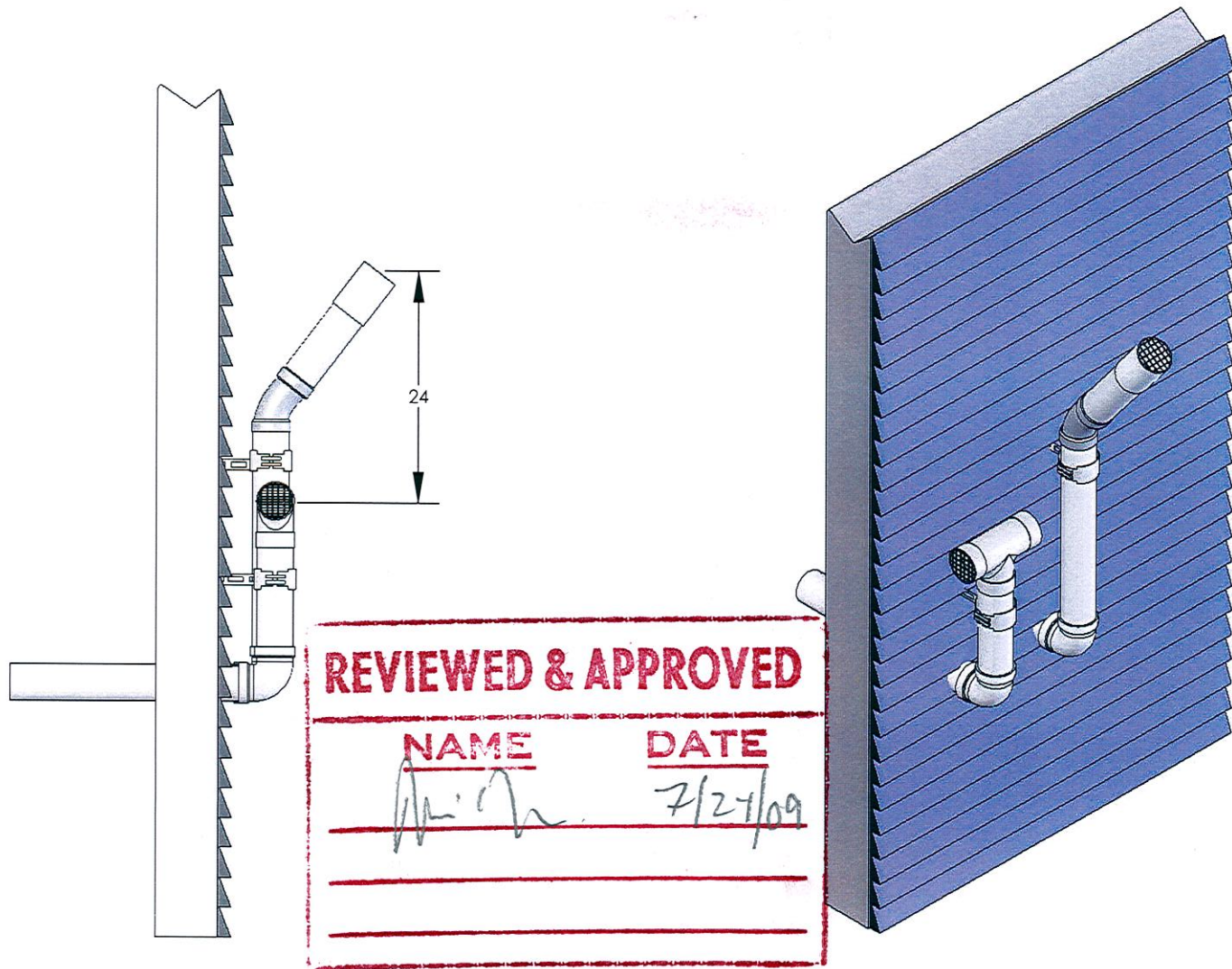
[Handwritten Signature]

7/29/05

**MUNCHKIN BOILER
OPTIONAL VENTING DESIGN**

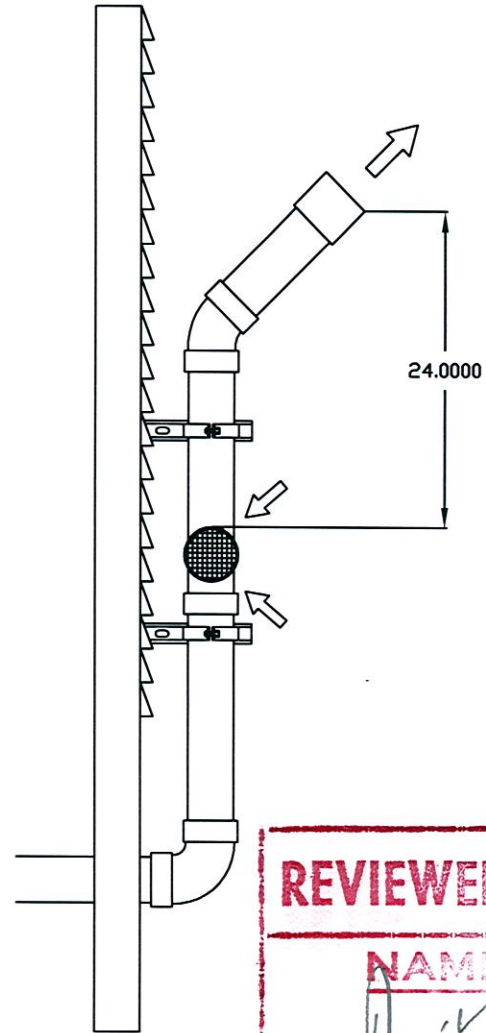
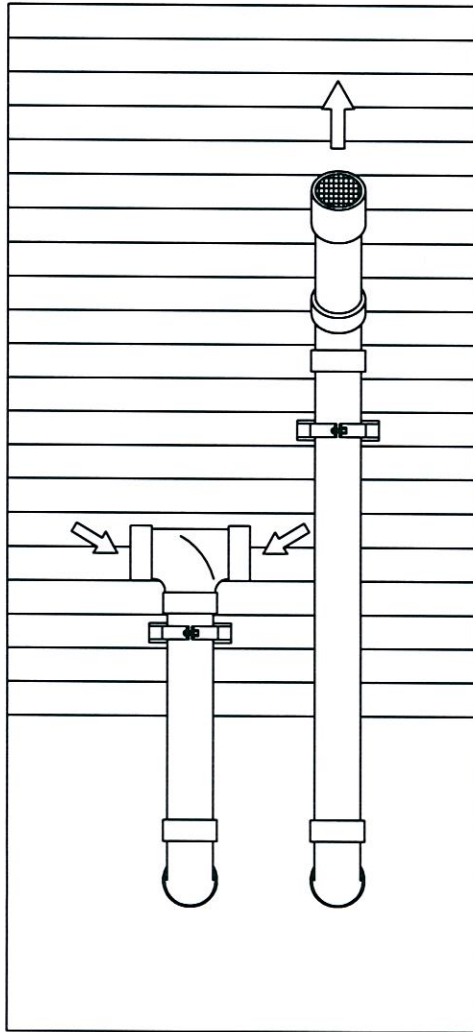
NOTES:
 FOR EVERY 1" OF OF OVERHANG, THE EXHAUST VENT MUST BE LOCATED 1" VERTICAL BELOW OVERHANG
 12" SEPARATION BETWEEN BOTTOM OF EXHAUST OUTLET AND BOTTOM OF AIR INTAKE (TYP)
 MAINTAIN 12" MINIMUM CLEARANCE ABOVE HIGHEST ANTICIPATED SNOW LEVEL OR GRADE, WHICHEVER IS GREATER (TYP)
 MINIMUM 12" BETWEEN VENTS WHEN INSTALLING MULTIPLE VENTS
 INSTALLTIONS ARE TO BE PERFORMED IN STRICT ACCORDANCE WITH THE REQUIREMENTS OF STATE AND LOCAL CODES.
 REFER TO THE INSTALLATION MANUAL FOR SPECIAL REQUIREMENTS FOR THE STATE OF MASSACHUSETTS.

**HEAT TRANSFER PRODUCTS, INC.
 111 BRALEY ROAD P.O. BOX 429
 EAST FREETOWN, MA 02717-0429**



NOTES:

- A. FOR EVERY 1" OF OF OVERHANG, THE EXHAUST VENT MUST BE LOCATED 1" VERTICAL BELOW OVERHANG
- B. 12" SEPARATION BETWEEN BOTTOM OF EXHAUST OUTLET AND BOTTOM OF AIR INTAKE (TYP)
- C. MAINTAIN 12" MINIMUM CLEARANCE ABOVE HIGHEST ANTICIPATED SNOW LEVEL OR GRADE, WHICHEVER IS GREATER (TYP)
- D. MINIMUM 12" BETWEEN VENTS WHEN INSTALLING MULTIPLE VENTS
- E. INSTALLTIONS ARE TO BE PERFORMED IN STRICT ACCORDANCE WITH THE REQUIREMENTS OF STATE AND LOCAL CODES.
- F. REFER TO THE INSTALLATION MANUAL FOR SPECIAL REQUIREMENTS FOR THE STATE OF MASSACHUSETTS.



REVIEWED & APPROVED

NAME

DATE

[Handwritten Signature]

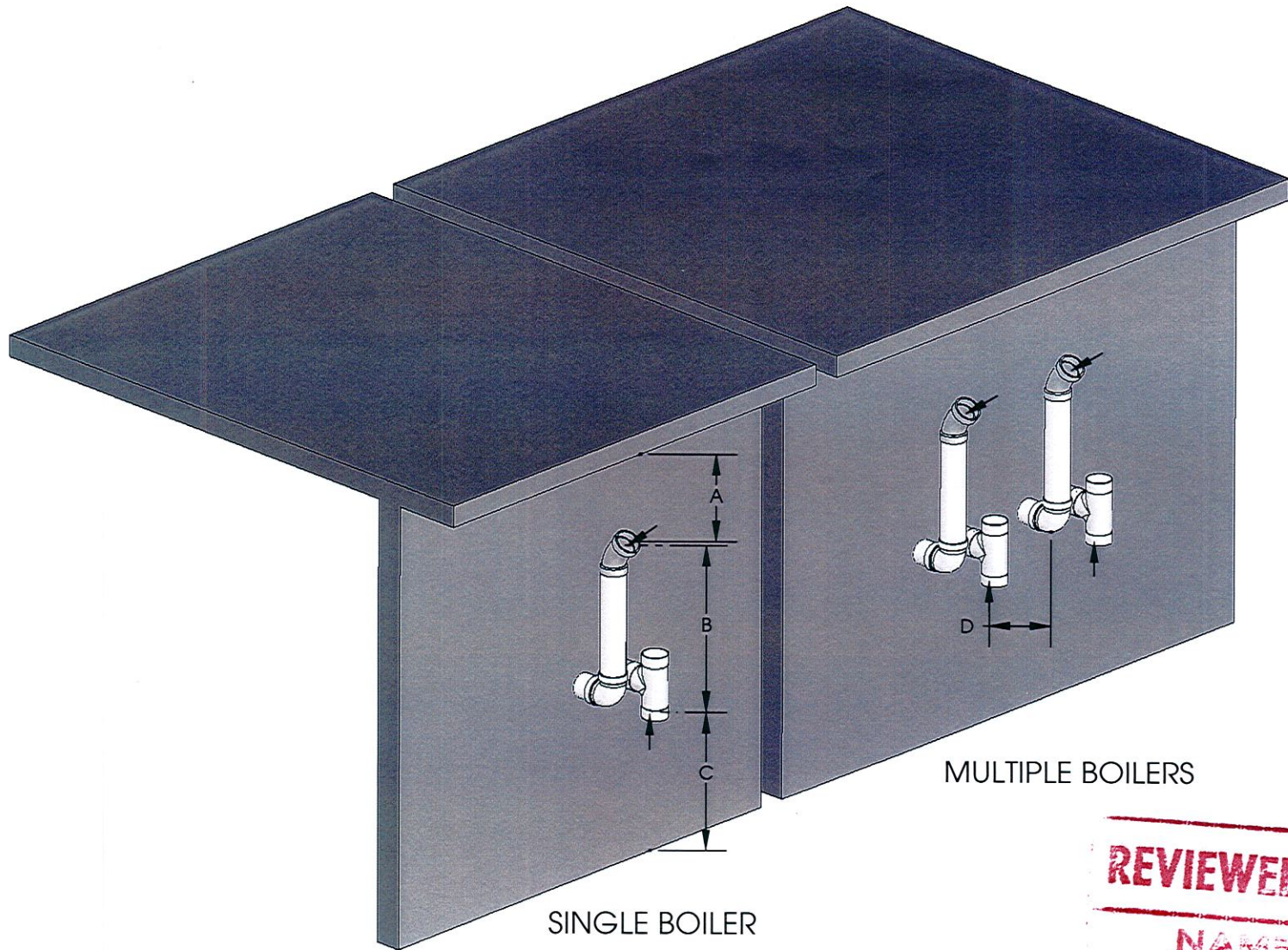
7/24/09

NOTES:

FOR EVERY 1" OF OF OVERHANG, THE EXHAUST VENT MUST BE LOCATED 1" VERTICAL BELOW OVERHANG
 12" SEPARATION BETWEEN BOTTOM OF EXHAUST OUTLET AND BOTTOM OF AIR INTAKE (TYP)
 MAINTAIN 12" MINIMUM CLEARANCE ABOVE HIGHEST ANTICIPATED SNOW LEVEL OR GRADE, WHICHEVER IS GREATER (TYP)
 MINIMUM 12" BETWEEN VENTS WHEN INSTALLING MULTIPLE VENTS
 INSTALLTIONS ARE TO BE PERFORMED IN STRICT ACCORDANCE WITH THE REQUIREMENTS OF STATE AND LOCAL CODES.
 REFER TO THE INSTALLATION MANUAL FOR SPECIAL REQUIREMENTS FOR THE STATE OF MASSACHUSETTS.

VENTING APPLICATION BELOW GRADE

LP-61-W



REVIEWED & APPROVED

NAME: *[Signature]* DATE: *7/24/07*

- A - FOR EVERY 1" OF OVERHANG THE EXHAUST VENT MUST BE LOCATED 1" VERTICAL BELOW OVERHANG
- B - 12" SEPARATION BETWEEN BOTTOM OF EXHAUST OUTLET AND BOTTOM OF AIR INTAKE (TYP.)
- C - MAINTAIN 12" MINIMUM CLEARANCE ABOVE HIGHEST ANTICIPATED SNOW LEVEL OR GRADE WHICHEVER IS GREATER (TYP.)
- D - MINIMUM 12" BETWEEN VENTS WHEN INSTALLING MULTIPLE VENTS
- E - INSTALLATIONS ARE TO BE PERFORMED IN STRICT ACCORDANCE WITH THE REQUIREMENTS OF STATE AND LOCAL CODES .
- F. - REFER TO THE INSTALLATION MANUAL FOR SPECIAL VENTING REQUIREMENTS FOR THE STATE OF MASSACHUSETTS.