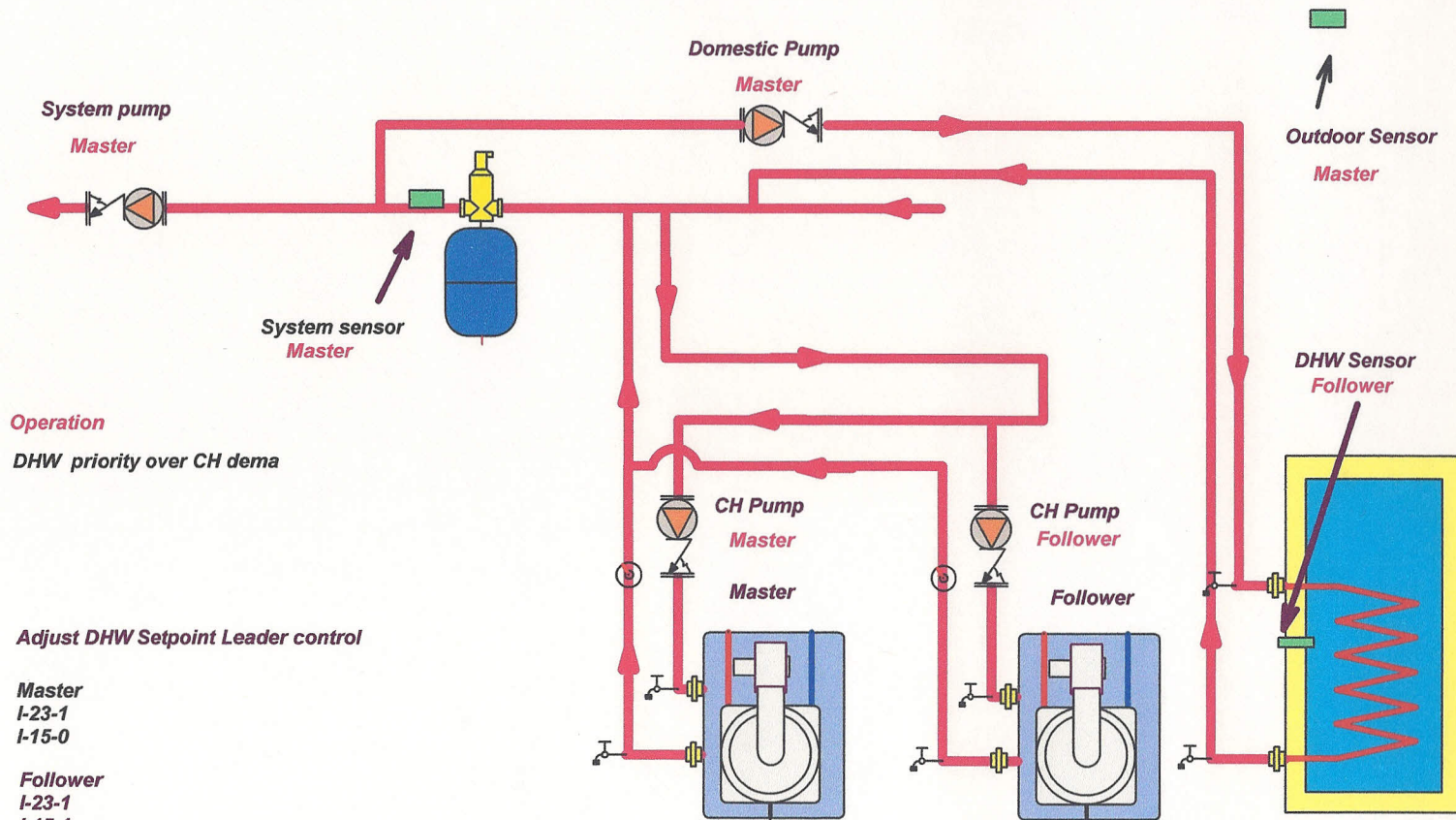


ModCon Service and Support, Inc.
 Rich Swatton
 617-775-9272
 modconservice@comcast.net

CASCADED BOILERS WITH DHW ON SECONDARY LOOP



Operation
 DHW priority over CH dema

Adjust DHW Setpoint Leader control

Master
 I-23-1
 I-15-0

Follower
 I-23-1
 I-15-1

CH Pump connect to CH 120v terminals
 DHW sensor connect to DHW sensor low voltage terminals